



# VERDEGRO BLADE - TMA

11 Boeing Place, Mount Maunganui 3116 Ph: 07 575 0505

2/11 March Place, Belfast, Christchurch 8051 Ph: 03 323 7507

Email: [admin@trafficsigns.co.nz](mailto:admin@trafficsigns.co.nz) [www.trafficsigns.co.nz](http://www.trafficsigns.co.nz) PO Box 4366, Mount Maunganui South 3149

## EXCLUSIVE NEW ZEALAND DISTRIBUTOR No1 Verdegro Blade MASH Truck Mounted Attenuator

The long awaited Verdegro Blade Mash TMA has been full scale crash tested according to the Manual for Assessing Safety Hardware (MASH) that supersedes the 20 year old NCHRP-350, passing Test 3-50 & 3-51 Straight Impact Test, 3-52 Offset Impact Test and the 3-53 Angle Test criteria, making it the highest safety level TMA.

New Zealand road conditions means that a shorter transportation height and ability to deploy a MASH TMA in a retracted position gives a flexible TMA to complete low speed urban work in narrow urban conditions with overhead hazards during the day with a retracted TMA, extending the TMA for 100km/h use as required on motorways, expressways and highways.

### KEY FEATURES INCLUDE:

- The BLADE is the only MASH TMA unit to offer the combination of MASH TL-2 and TL-3 in one unit. Approved by Waka Kotahi NZTA M23 appendix C.
- Crash tested TMA to new highest MASH TL-3 standards, approved by FHWA Austroads and NZTA.
- NZTA approved for use in the retracted position for TL-2 use in posted speed of 70km/h or less.
- Retracted transport height - under 4m - reduces damage.
- Nuisance damage cost to a minimum.
- New technology - No energy cartridge.
- Quick connection and level mounting system as standard.
- Market leading safety results.
- Full product and after sales support.



- ⇒ Exclusive Qualified & Certified New Zealand Agent for all Repairs & Assessments
- ⇒ New Zealand Exclusive Agent and Stockist of Spare Parts & Accessories
- ⇒ 12 month warranty T&C apply



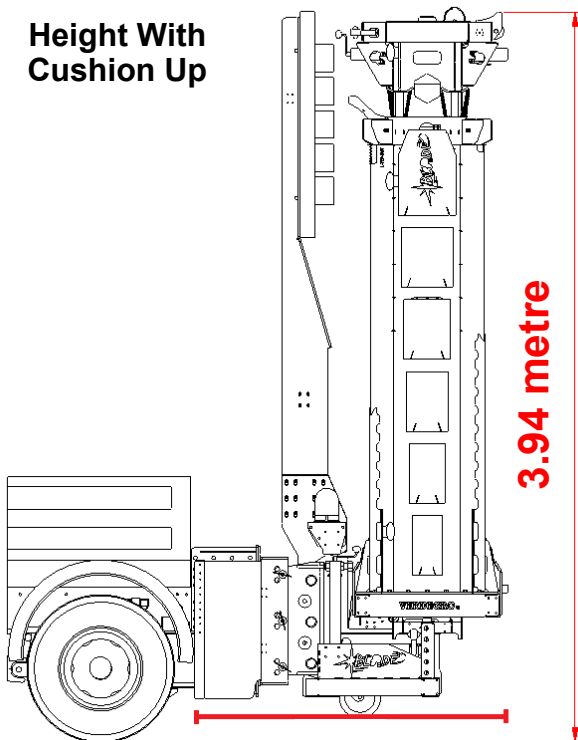
# VERDEGRO BLADE - TMA

11 Boeing Place, Mount Maunganui 3116 Ph: 07 575 0505

2/11 March Place, Belfast, Christchurch 8051 Ph: 03 323 7507

Email: [admin@trafficsigns.co.nz](mailto:admin@trafficsigns.co.nz) [www.trafficsigns.co.nz](http://www.trafficsigns.co.nz) PO Box 4366, Mount Maunganui South 3149

Height With Cushion Up

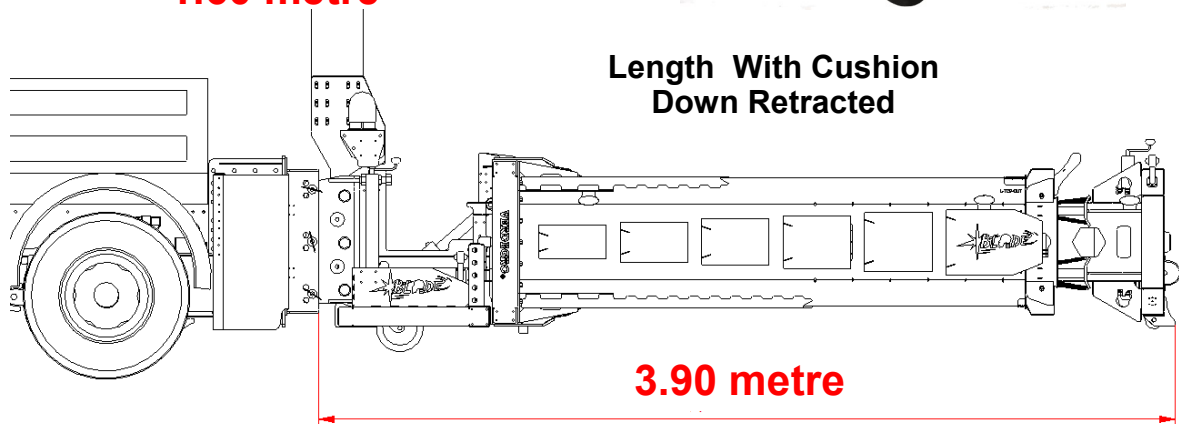


3.94 metre

1.60 metre

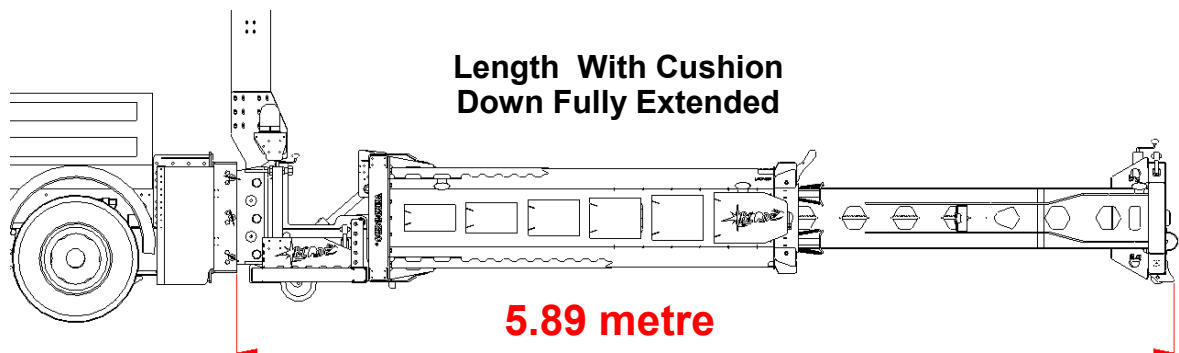


Length With Cushion Down Retracted



3.90 metre

Length With Cushion Down Fully Extended



5.89 metre